

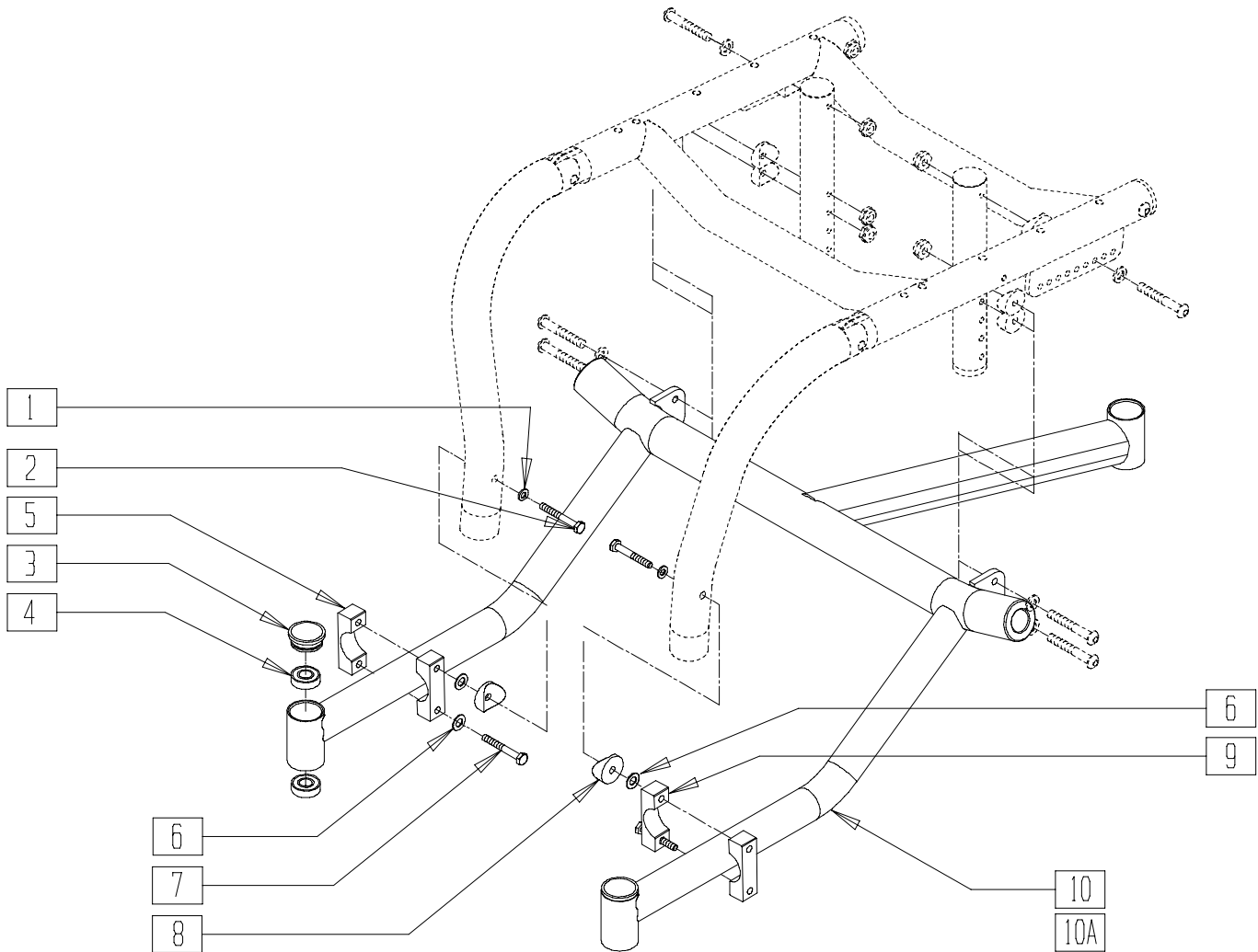
Quickie Matchpoint

IN THIS SECTION

Base Frame (Quickie Matchpoint).....	2.1	Aluminum Side Guard For Quick-release Back (Quickie Matchpoint).....	2.8
Seat Frame (Quickie Matchpoint).....	2.2	Folding Backrest and Upholstery (Quickie Matchpoint).....	2.9
Integral Anti-tip (Quickie Matchpoint).....	2.3	Seat Sling and Cushion (Quickie Matchpoint).....	2.10
Quick-release Anti-tip (Quickie Matchpoint)	2.4	Fork Assembly (Quickie Matchpoint)	2.11
Push Handle Assembly (Quickie Matchpoint).....	2.5	3" Micro Caster	2.12
Fixed Backrest (Quickie Matchpoint).....	2.6	Platform Footrest (Quickie Matchpoint)	2.12
Quick-release Back Lock (Quickie Matchpoint).....	2.7	High-Mount Footrest (Quickie Matchpoint).....	2.13
Aluminum Side Guard For Fixed Back (Quickie Matchpoint).....	2.8		

BASE FRAME (QUICKIE MATCHPOINT)

(Effective 10/1/01)



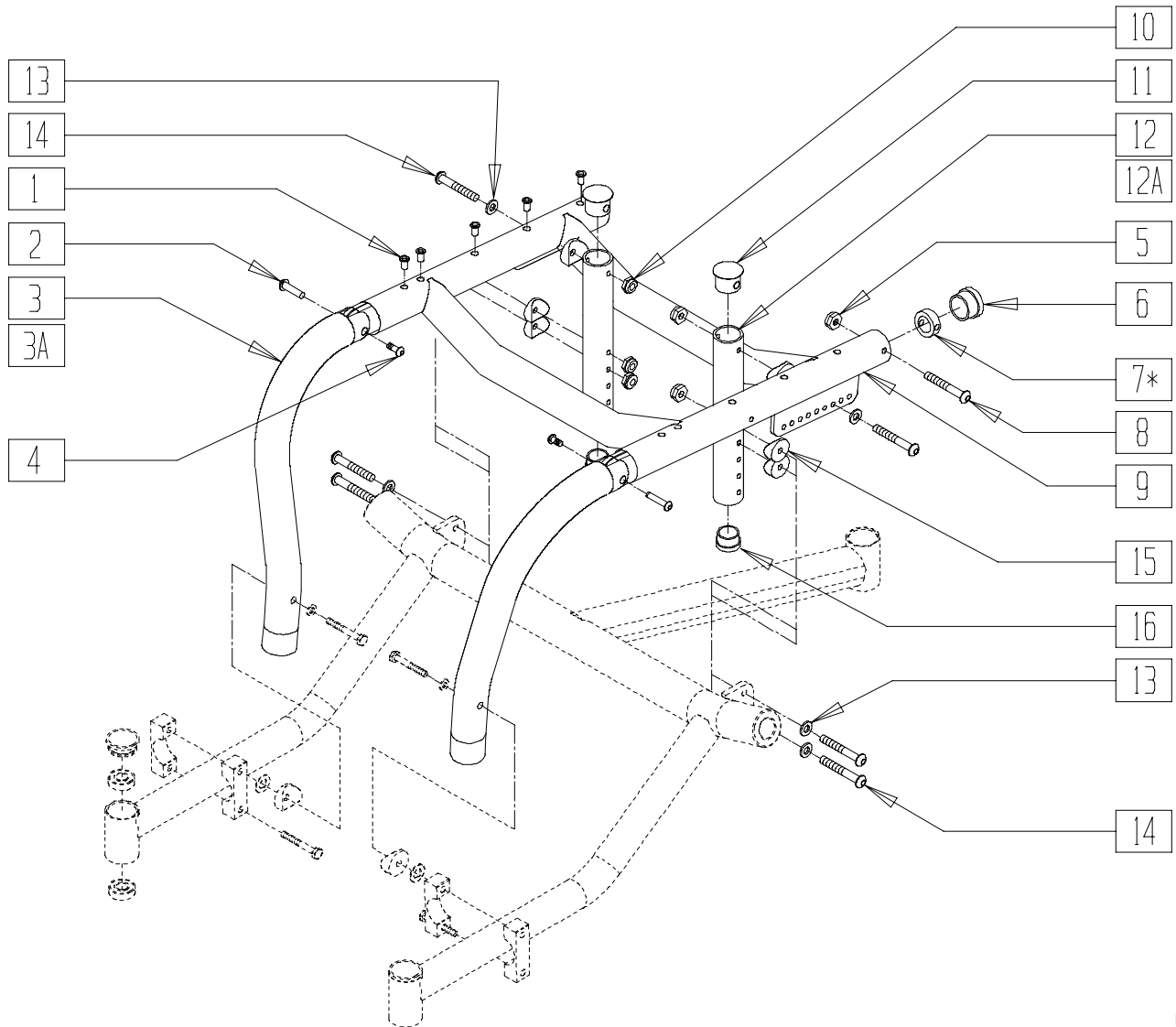
MPOX01

ITEM	NUMBER	DESCRIPTION	QTY
1	262100-QU	1/4 AN WASHER FLAT	2
2	221201	1/4-28 x 3 G8 HEX C/S	2
3	561070	CASTER CAP PLASTIC	1
	920028	CASTER CAP PLASTIC (PR)	2
4	349500	1 1/8 x 1/2 BEARING	6
5	540071	SIDE TUBE CLAMP THREADED AC	2
6	561026	3/4" WASHER 1/4" HOLE	2

ITEM	NUMBER	DESCRIPTION	QTY
7	221133	1/4-28 x 1 1/2 G8 HEX C/S	2
8	561001	1 1/8" SADDLE 1/4" HOLE	2
9	540072	SIDE TUBE CLAMP AC	2
4,10	600551- 600557	BASE FRAME PNTD (13"-19") 16D MP	
	4,10A	600561- 600567	BASE FRAME PNTD (13"-19") 20D MP

SEAT FRAME (QUICKIE MATCHPOINT)

(Effective 10/1/01)



MP0X02

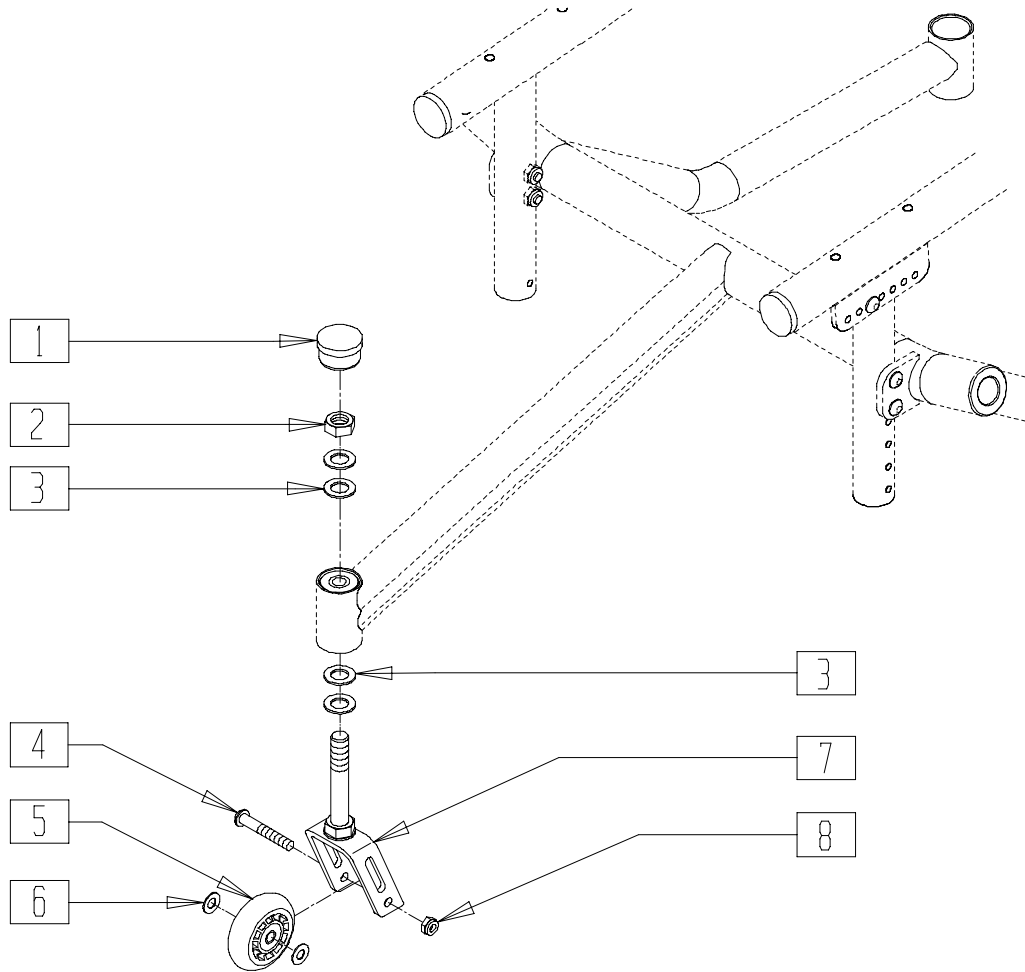
ITEM	NUMBER	DESCRIPTION	QTY
1	341497	10-32 x .020-.130 RIVNUT GOLD	10-16
2	221213	10-32 x 7/8" HEX SEX BOLT QTNT	2
4	226051	10-32 x 3/8" BH C/S	2
5	201100-QU	1/4-28 NYLOCK NUT THIN	2
6	561070	CASTER CAP PLASTIC	2
7*	483273	BACKREST REL PLUG A/C	2
8	226150	1/4-28 x 2 BH C/S	2
10	201110-QU	1/4-28 NYLOCK NUT	6
11	560999	1" INSERT PLUG .083 W/1/4 HOLE	2
12	527455	REAR FRAME ADJ TUBE 3D STD	2
12A	520487	REAR FRAME ADJ TUBE A/C TALL	2
13	262100-QU	1/4 AN WASHER FLAT	10
14	226140	1/4-28 x 1 3/4 BH C/S	6
15	561004	1" SADDLE 1/4" HOLE	6
16	561002	1" INSERT PLUG .083	2
1,5-9	661289, 661295	SEAT FRAME PNTD (13" - 19" x 13")	

ITEM	NUMBER	DESCRIPTION	QTY	
1,5-9	661299, 661305	SEAT FRAME PNTD (13" - 19" x 14")		
	661309, 661315	SEAT FRAME PNTD (13" - 19" x 15")		
	661319, 661325	SEAT FRAME PNTD (13" - 19" x 16")		
	661329, 661335	SEAT FRAME PNTD (13" - 19" x 17")		
	661339, 661345	SEAT FRAME PNTD (13" - 19" x 18")		
	2-4	600295 600296	FRONT FRAME TUBE ASSM MP SHORT (EA)	
	2,3A,4	600297 600298	FRONT FRM TUBE ASSM MP TALL (EA)	

*PART 483273 ONLY USED WITH RIGID BACK

INTEGRAL ANTI-TIP (QUICKIE MATCHPOINT)

(Effective 10/1/01)



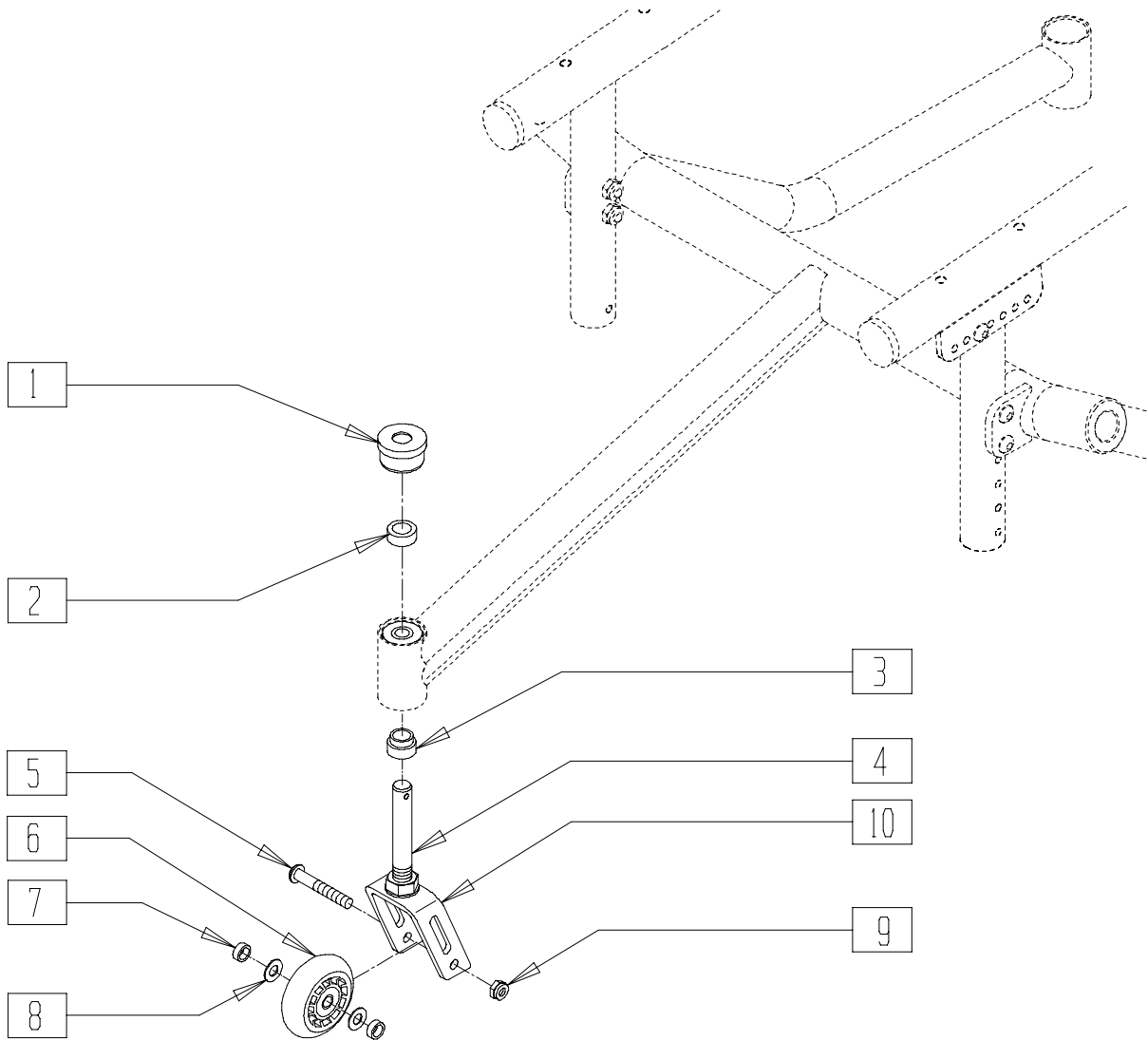
MP0X03

ITEM	NUMBER	DESCRIPTION	QTY
1	561070	CASTER CAP PLASTIC	1
	920028	CASTER CAP PLASTIC (PR)	
2	330010	1/2-20 NYLOCK NUT ALUM	1
3	483254	SPACER .50 ID x .80 OD x .125	4
4	226190	5/16-18 x 1 3/4 BH C/S SHLDR	1
5	400092	3" MICRO CASTER W/BEARING	1

ITEM	NUMBER	DESCRIPTION	QTY
6	263100	5/16 AN WASHER FLAT	2
7	780450	STEM/FORK AC	1
8	202102	5/16-18 NYLOCK NUT THIN	1
2-4, 6-8	780471	STEM/FORK W/HDWR AC ANTI-TIP	

QUICK-RELEASE ANTI-TIP (QUICKIE MATCHPOINT)

(Effective 10/1/01)



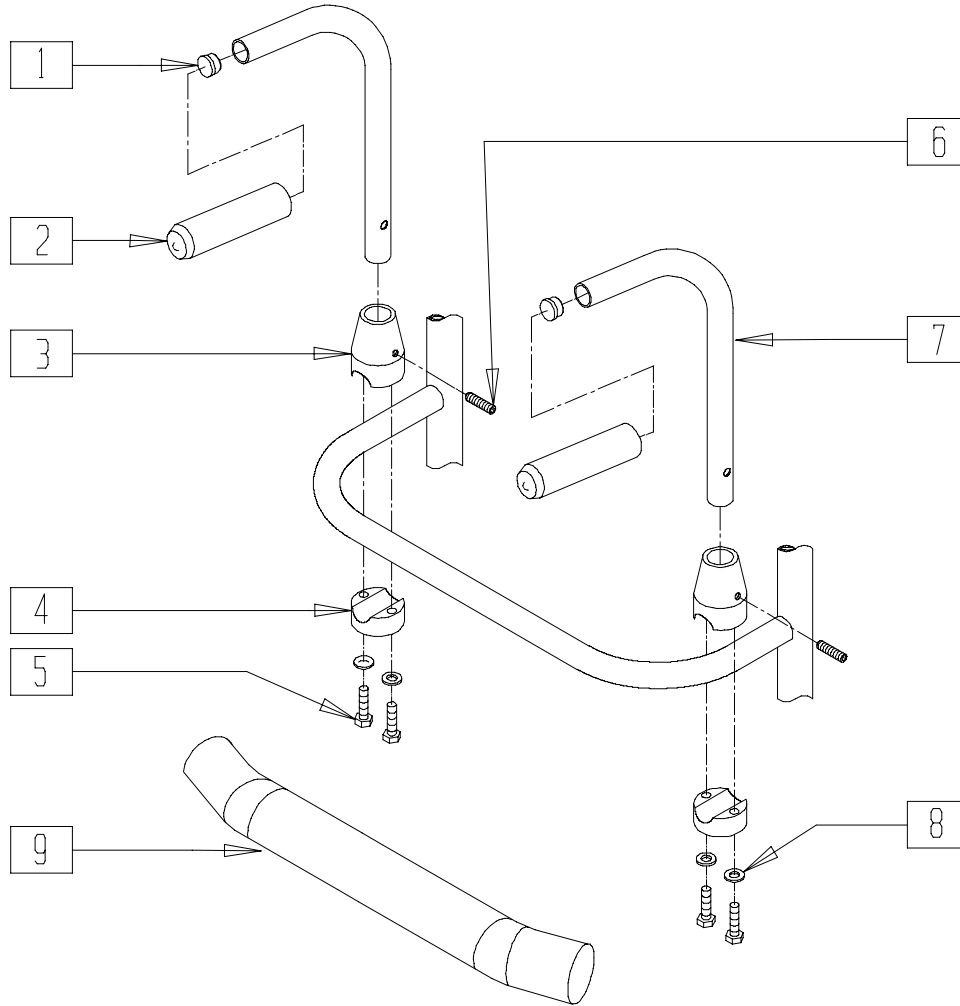
MPOX04

ITEM	NUMBER	DESCRIPTION	QTY
1	561170	CASTER CAP PLASTIC W/HOLE	1
2	483206	SPACER .40 ANTI-TIP AC	1
3	483205	SPACER .715 ANTI-TIP AC	1
4	481658	CASTER STEM QR	1
5	226190	5/16-18 x 1 3/4 BH C/S SHLDR	1
6	400096	2 1/2" CASTER WHEEL ANTI-TIP	1

ITEM	NUMBER	DESCRIPTION	QTY
7	481652	BEARING SPACER XTR	2
8	263100	5/16 AN WASHER FLAT	2
9	202102	5/16-18 NYLOCK NUT THIN	1
4,10	780452	STEM/FORK QR ANTI-TIP AC	
1-5, 7-10	780472	STEM/FORK W/DWR AT QR AC	

PUSH HANDLE ASSEMBLY (QUICKIE MATCHPOINT)

(Effective 10/1/01)



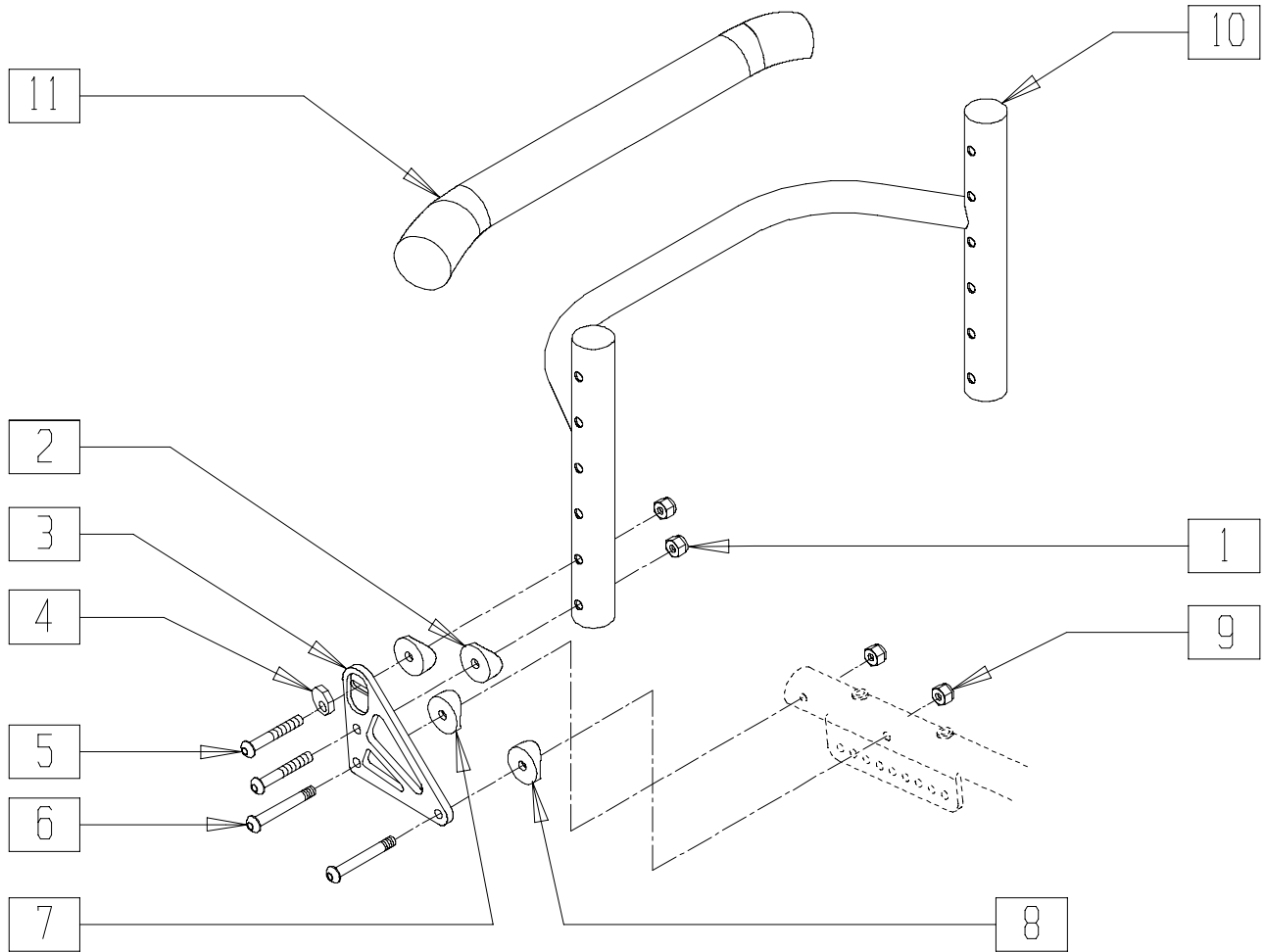
MPOX05

ITEM	NUMBER	DESCRIPTION	QTY
1	561000-QU	3/4" INSERT PLUG .083	2
2	560662	QUICKIE GRIP 3/4"	2
3	483015	PUSH BACK REC TOP RIGID BLK	2
4	483016	PUSH BACK REC BTM RIGID BLK	2
5	221126	1/4-20 x 1 1/4 G8 HEX C/S	4
6	2250200	1/4-20 x 1 SET SCREW	2

ITEM	NUMBER	DESCRIPTION	QTY
8	262100-QU	1/4 AN WASHER FLAT	4
9	750751	CROSSBAR PAD	1
1,2,7	842061, 842062	PUSH HANDLE TUBE W/FOAM RIGID BLK (EA)	
1-8	900300	PUSH HANDLE ASSM RIGID BLK (PR)	

FIXED BACKREST (QUICKIE MATCHPOINT)

(Effective 10/1/01)



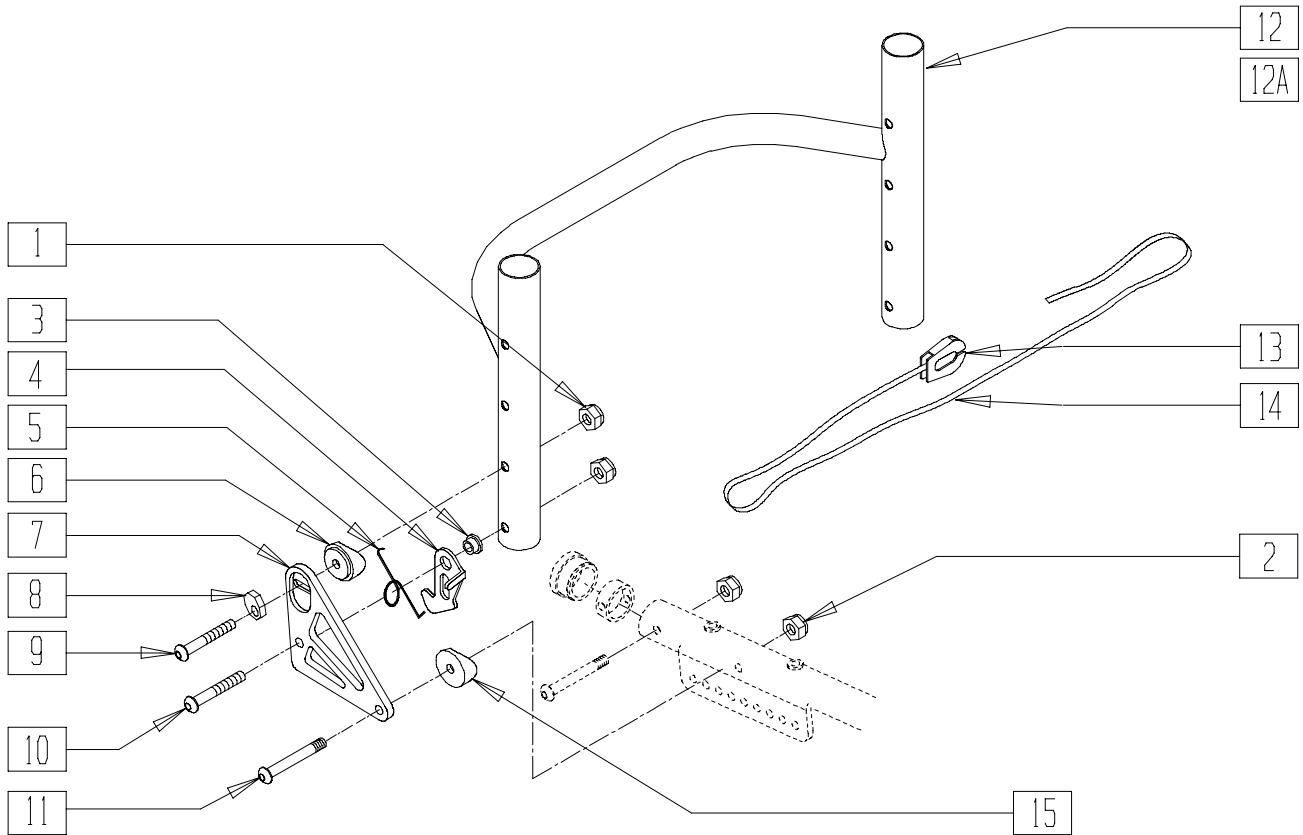
MPOX09

ITEM	NUMBER	DESCRIPTION	QTY
1	201110	1/4-28 NYLOCK NUT	4
2	561004	1" SADDLE 1/4" HOLE	4
3	500562, 500563	BACK PLATE FIXED MANUAL (EA)	1
4	341018	WASHER ECCENTRIC LARGE	2
5	227140	1/4-28 x 1 3/4 BH C/S BLK ZN	4
6	226148	1/4-28 x 1.85 BH C/S	4
7	561001	1 1/8" SADDLE 1/4" HOLE	2

ITEM	NUMBER	DESCRIPTION	QTY
8	561086	1" HALF SADDLE 1/4" HOLE	2
9	201100	1/4-28 NYLOCK NUT THIN	4
10	520441- 520447	BACK FRAME REG RIGID BLK .115 13"-19"	1
	520541- 520547	BACK FRAME TALL RIGID BLK .115 13"-19"	
11	750751	CROSSBAR PAD	1
1-9	920569	BRACKET ASSEMBLY FIXED BACK	

QUICK-RELEASE BACK LOCK (QUICKIE MATCHPOINT)

(Effective 10/1/01)



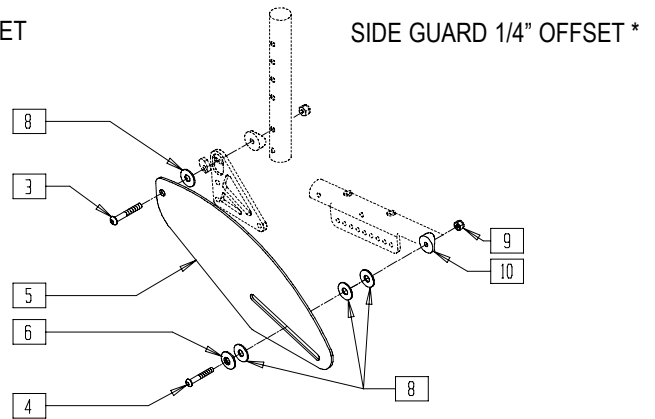
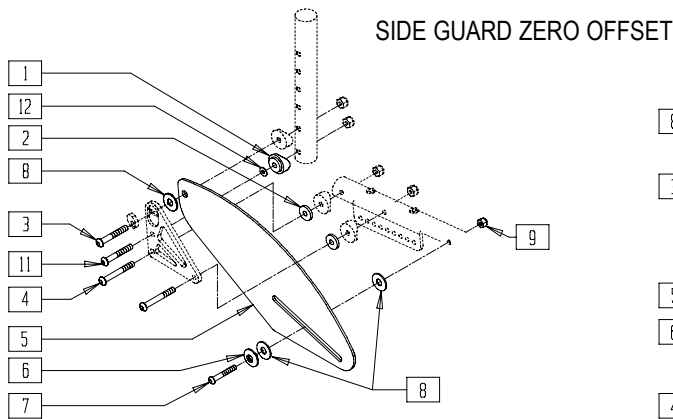
MP0X10

ITEM	NUMBER	DESCRIPTION	QTY
1	201110	1/4-28 NYLOCK NUT	4
2	201110-QU	1/4-28 NYLOCK NUT	2
3	481039	BACK REL BUSHING RIGID	2
4	505033, 505034	BACK RELEASE BRACKET Q1/GP (EA)	1
5	321153 321154	BACK RELEASE SPRING RIGID (NEW) (EA)	1
6	561087	BACK RELEASE SADDLE RIGID	2
7	500110, 500111	BACK PLATE XTR (EA)	1
8	341018	WASHER ECCENTRIC LARGE	2

ITEM	NUMBER	DESCRIPTION	QTY
9	227140	1/4-28 x 1 3/4 BH C/S BLK ZN	2
10	226140	1/4-28 x 1 3/4 BH C/S	2
11	226150	1/4-28 x 2 BH C/S	2
12	520441 520447	BACK FRAME REG RIGID BLK .115 13"-19"	1
12A	520541- 520547	BACK FRAME TALL RIGID BLK .115 13"-19"	1
13	560221	BACK RELEASE STRAP LOCK RIGID	1
14	750060	BACK RELEASE STRAP 12"-20" RIGID	1
15	561086	1" HALF SADDLE 1/4" HOLE	2
1-11,13-15	920568	BACK RELEASE BRACKET ASSM AC	

ALUMINUM SIDE GUARD FOR FIXED BACK (QUICKIE MATCHPOINT)

(Effective 10/1/01)



MPOX11

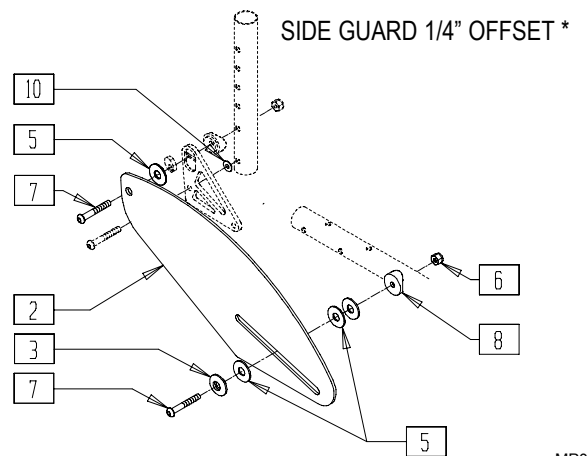
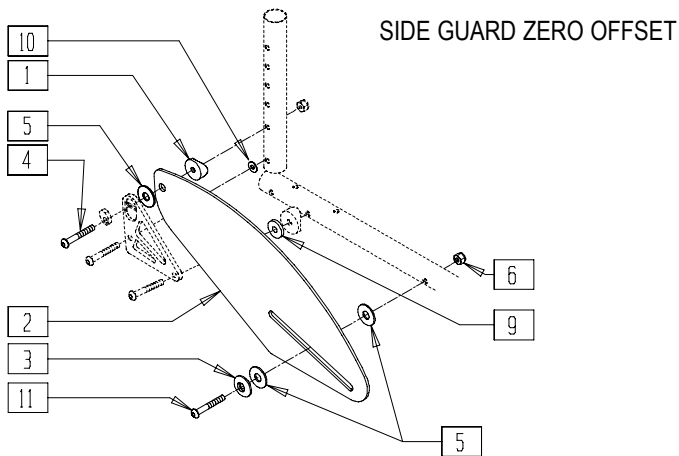
ITEM	NUMBER	DESCRIPTION	QTY
1	561087	BACK RELEASE SADDLE RIGID	2
2	561026	3/4" WASHER 1/4" HOLE	4
3	226147	1/4-28 x 1.85 BH C/S BLK ZN	2
4	226150	1/4-28 x 2 BH C/S	4
5	500223	SIDE GUARD STD	2
6	481046	SIDE GUARD BUSHING	2
7	226148	1/4-28 x 1.85 BH C/S	2

ITEM	NUMBER	DESCRIPTION	QTY
8	561043	1" WASHER 3/8" HOLE	6,8
9	201100	1/4-28 NYLOCK NUT THIN	2
10	561001	1 1/8" SADDLE 1/4" HOLE	2
11	227140	1/4-28 x 1 3/4 BH C/S BLK ZN	2
12	262100-QU	1/4 AN WASHER FLAT	2
1-4,6-12	920623	BRKT ASSM FIX BACK/SIDEGUARD	

*FOR 13.5",14.5",15.5"... 1/4" OFFSET SIDEGUARDS MUST BE ORDERED TO ACHIEVE EXTRA 1/2" IN SEAT FRAME WIDTH.

ALUMINUM SIDE GUARD FOR QUICK-RELEASE BACK (QUICKIE MATCHPOINT)

(Effective 10/1/01)



MPOX12

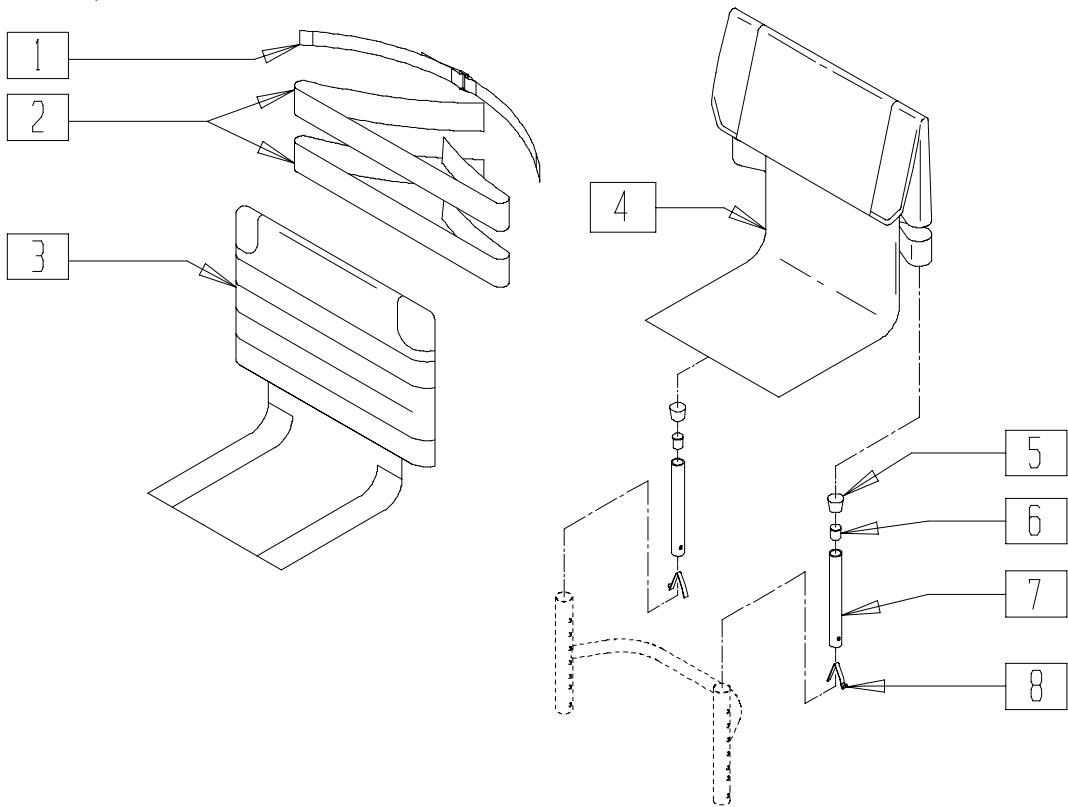
ITEM	NUMBER	DESCRIPTION	QTY
1	561004	1" SADDLE 1/4" HOLE	2
2	500223	SIDE GUARD AL STD AC	2
3	481046	SIDEGUARD BUSHING	2
4	226147	1/4-28 x 1.85 BH C/S BLK ZN	2
5	561043	1" WASHER 3/8" HOLE	6,8
6	201100	1/4-28 NYLOCK NUT THIN	2

ITEM	NUMBER	DESCRIPTION	QTY
7	226150	1/4-28 x 2 BH C/S	2
8	561001	1 1/8" SADDLE 1/4" HOLE	2
9	561026	3/4" WASHER 1/4" HOLE	2
10	262100-QU	1/4 AN WASHER FLAT	2
11	226148	1/4-28 x 1.85 BH C/S	2
1,3-11	920625	HARDWARE KIT SIDE GUARD AC	

*FOR 13.5",14.5",15.5"... 1/4" OFFSET SIDEGUARDS MUST BE ORDERED TO ACHIEVE EXTRA 1/2" IN SEAT FRAME WIDTH.

FOLDING BACKREST AND UPHOLSTERY (QUICKIE MATCHPOINT)

(Effective 10/1/01)



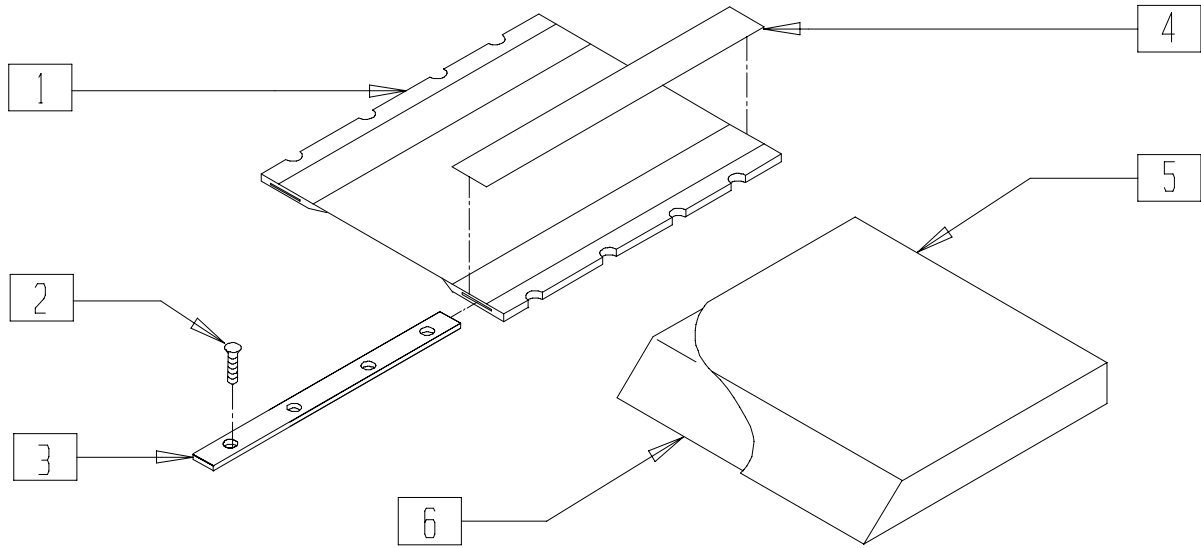
MP0X08A

ITEM	NUMBER	DESCRIPTION	QTY
1	750096	SIDE GUARD/BACK STRAP (SPEC DIM)	1
2	741500	ANKLE/BACK STRAP 3D	1
3	685904-685910	BACK UPH QUICKIE ADJ 14"-20" SA (12"-15")	1
	685914-685920	BACK UPH QUICKIE ADJ 14" -20" MA (14"-17")	
	685924-685930	BACK UPH QUICKIE ADJ 14" -20" LA (16"-19")	

ITEM	NUMBER	DESCRIPTION	QTY
4	680301-680909	BACK UPHOLSTERY W/TAIL 14"-20" FOLDING BACK	1
5	561010	3/4" CAP	2
6	561000-QU	3/4" INSERT PLUG .083	2
8	301100	1/4" SNAP BUTTON SINGLE	2
5-8	840130	BACK ADJ TUBE W/CAP 12-16"	
	840131	BACK ADJ TUBE W/CAP 14-18"	
	840132	BACK ADJ TUBE W/CAP 16-20"	

SEAT SLING AND CUSHION (QUICKIE MATCHPOINT)

(Effective 10/1/01)



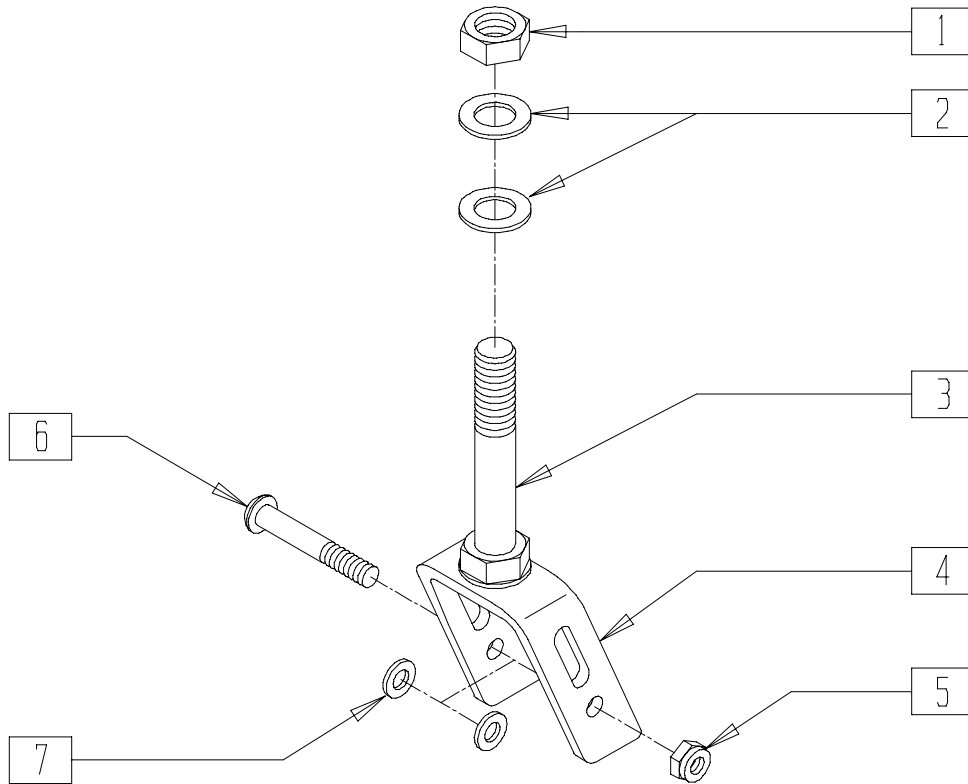
MPOX13

ITEM	NUMBER	DESCRIPTION	QTY
1	721083-721158	SEAT SLING AC 13" x 13" -18" x 18"	1
2	281122	10-32 x 3/4 PAN PHIL	8
3	505360-505372	SEAT RAIL Q7NT 13"-18"	2
4	901169	SEAT SLING VELCRO® STRIP 2"	2

ITEM	NUMBER	DESCRIPTION	QTY
5	701242-701742	SEAT COVER 13" x 14" x 2" - 18" x 19" x 2"	1
6	105242-105742	SEAT FOAM 14" x 14" x 2" - 18" x 19" x 2"	1
5,6	700242-700742	SEAT CUSHION W/COVER AND FOAM 13" x 14" - 18" x 18"	

FORK ASSEMBLY (QUICKIE MATCHPOINT)

(Effective 10/1/01)

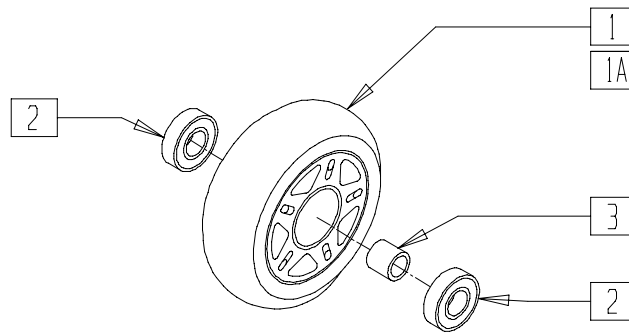


ALC0X01A

ITEM	NUMBER	DESCRIPTION	QTY
1	330010	1/2-20 NYLOCK NUT ALUMINUM	1
2	264100	1/2 AN WASHER FLAT	2
4	550038	FORK 3" MICRO	1
5	202102	5/16-18 NYLOCK NUT THIN	1

ITEM	NUMBER	DESCRIPTION	QTY
6	226190	5/16-18 x 1 3/4 BH C/S SHLDR	1
7	263100	5/16 AN WASHER FLAT	2
3,4	780450	STEM/FORK AC	
1-7	780470	STEM/FORK W/HARDWARE AC	

3" MICRO CASTER



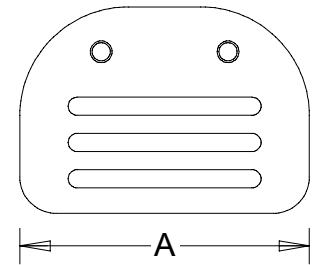
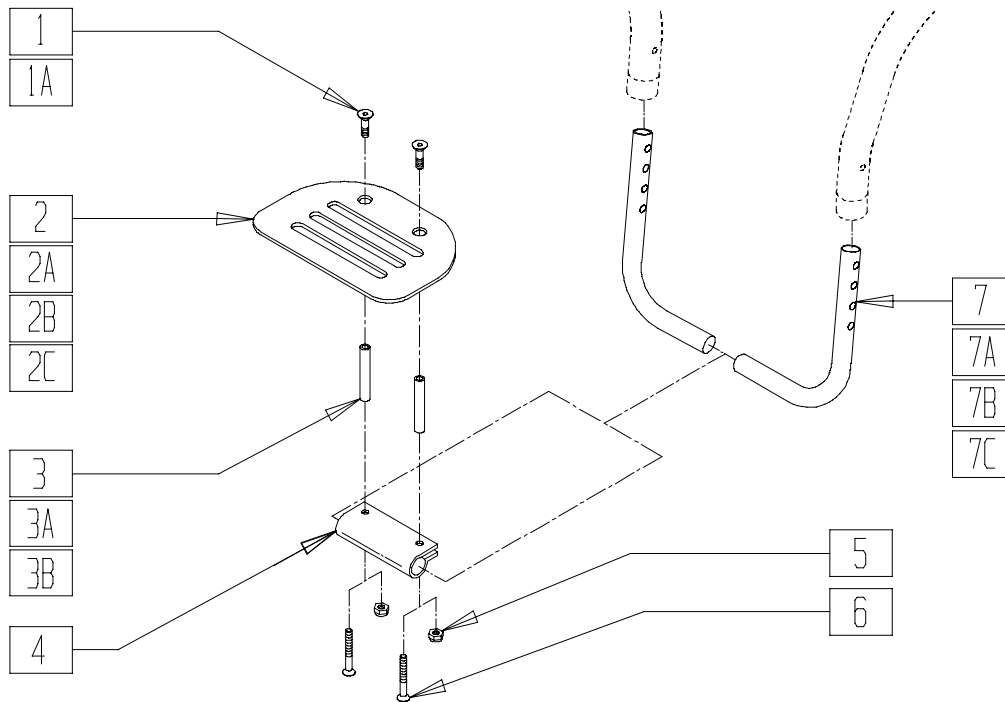
CFOX09A

ITEM	NUMBER	DESCRIPTION	QTY
2	349502	7/8 x 5/16 BEARING	2
3	481013	BEARING SPACER	1

ITEM	NUMBER	DESCRIPTION	QTY
1-3	400092	3" MICRO CASTER W/BEARING	
	920025	3" MICRO CASTER W/BEARING (PR)	
1A	920077	3" MICRO CASTER LIGHTED (PR)	

PLATFORM FOOTREST (QUICKIE MATCHPOINT)

(Effective 10/1/01)



FOOTPLATE REFERENCE GUIDE

CHAIR WIDTH	"A"	PART NUMBER
13"	6"	500591
14"	8"	500592
15"	8"	500592
16"	10"	500593
17"	10"	500593
18"	12"	500594
19"	12"	500594

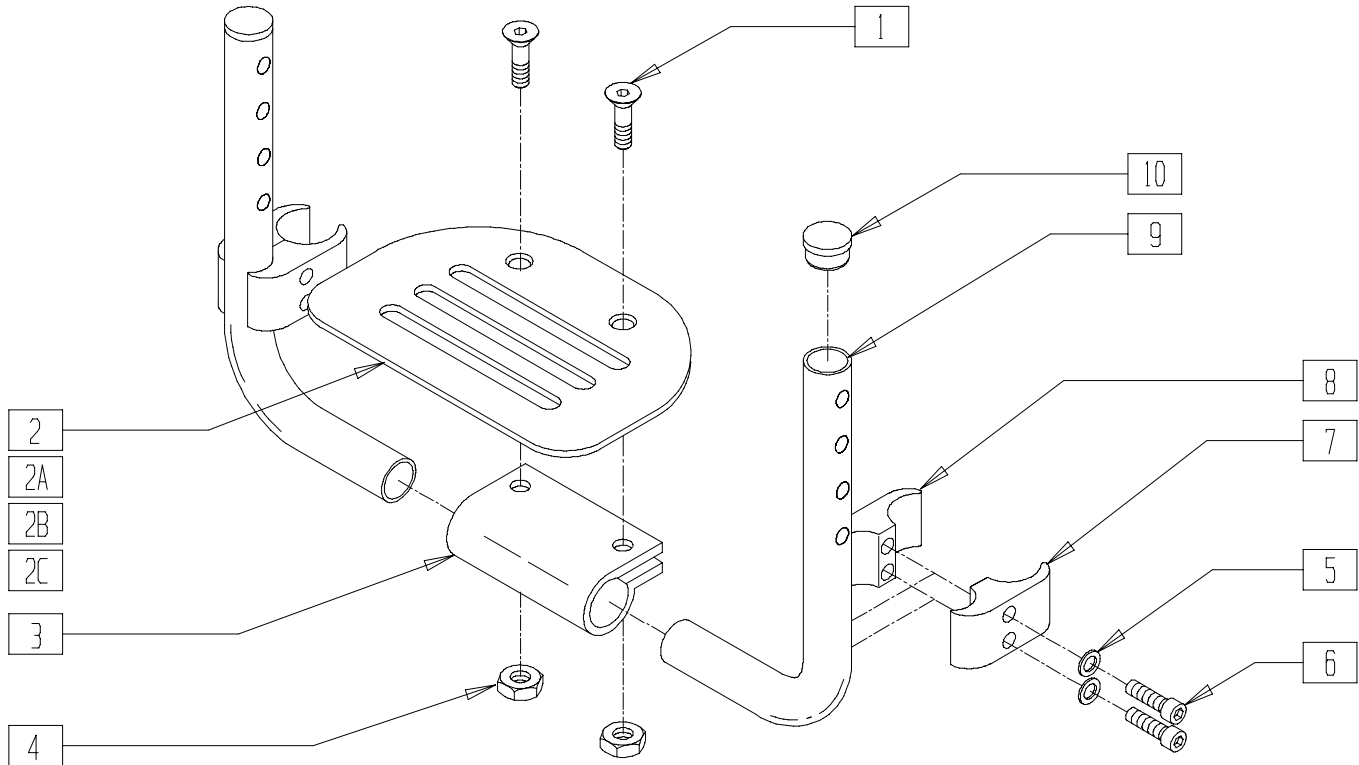
MPOX06

ITEM	NUMBER	DESCRIPTION	QTY
1	226099	1/4-28 x 7/8 FH C/S (NO SPACER)	2
1A	226121	1/4-20 x 1 FH C/S BLK	2
2	500591	PLATFORM FOOTPLATE 6" x 5 1/2"	1
2A	500592	PLATFORM FOOTPLATE 8" x 5 1/2"	1
2B	500593	PLATFORM FOOTPLATE 10" x 5 1/2"	1
2C	500594	PLATFORM F/PLT 12" x 5 1/2"	1
3	481306	ADAPTIVE FOOTREST SPACER 2"	2
3A	481307	ADAPTIVE FOOTREST SPACER 4"	2
3B	481308	ADAPTIVE FOOTREST SPACER 6"	2
4	550351	PLATFORM FOOTPLATE CLAMP	1

ITEM	NUMBER	DESCRIPTION	QTY
5	201120	1/4-28 AUTOMATION NUT	2
6	226110	1/4-28 x 1 BH C/S	2
7	522247	FOOTREST TUBE 14/15" QTNT	1
7A	522248	FOOTREST TUBE 16/17" QTNT	1
7B	522249	FOOTREST TUBE 18" QTNT	1
7C	522265	FOOTREST TUBE 18"/19" MP	1
1,2,4,6,7	800314	FOOTREST ASSM 14/15" RVRS A/C	
1,2A,4,6,7A	800315	FOOTREST ASSM 16/17" RVRS A/C	
1,2B,4,6,7B	800316	FOOTREST ASSM 18/19" RVRS A/C	
1,2C,4,6,7C	800318	F/REST ASSM 18/19 REVERSE A/C	

HIGH-MOUNT FOOTREST (QUICKIE MATCHPOINT)

(Effective 101/01)



MP0X07

ITEM	NUMBER	DESCRIPTION	QTY
1	226099	1/4-28 x 7/8 FH C/S	2
2	500650	PLTFRM FOOTPLATE 6" x 5 1/2" (10"-13")	1
2A	500651	PLTFRM FOOTPLATE 8" x 5 1/2" (14")	1
2B	500652	PLTFRM F/PLT 10" x 5 1/2"	1
2C	500653	PLATFORM F/PLT 12" x 5 1/2"	1
3	550351	PLTFRM FT PLT CLMP (SPECIFY BLK)	1
4	201120	1/4-28 AUTOMATION NUT	2
5	262114	1/4 WASHER HI COLLAR LOCK ZN	4
6	226112	1/4-28 x 1 SOC S/C BLK	4
7	550443	WHEEL LOCK CLAMP RECESS R2	2

ITEM	NUMBER	DESCRIPTION	QTY
8	550442	WHEEL LOCK CLAMP THREADED R2	2
5-8	881097	WHEEL LOCK CLAMP ASSM BLK	2
9	522247- 522249	FOOTREST TUBE (14"-18") QTNT	2
10	561000-QU	3/4" INSERT PLUG .083	2
1-10	800321	FTRST ASSM 13"-13.5" HI-MT MP	
1,2A,3-10	800322	FTRST ASSM 14"-15.5" HI-MT MP	
1,2B,3-10	800323	FTRST ASSM 16"-17.5" HI-MT MP	
1,2C,3-10	800325	FTRST ASSM 18"-19.5" HI-MT MP	